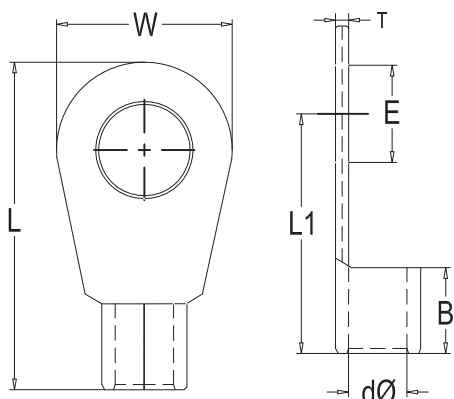


RCCN 日成DIN圆形裸端子 Non-Insulated Ring Terminals

DIN46234



型号 Item No.	Wire Range		尺寸 DIMENSION						
	AWG/MCM	mm ²	E φ	d φ	W	B	L1	T	L
DIN-R0.5-2	26-22	0.2-0.5	2.2	1.0	5.0	4.0	10.00	0.5	12.5
DIN-R0.5-2.5	26-22	0.2-0.5	2.7	1.0	5.0	4.0	10.00	0.5	12.5
DIN-R0.5-3	26-22	0.2-0.5	3.2	1.0	5.0	4.0	10.00	0.5	12.5
DIN-R0.5-3.5	26-22	0.2-0.5	3.7	1.0	6.0	4.0	12.00	0.5	15.0
DIN-R0.5-4	26-22	0.2-0.5	4.3	1.0	6.5	4.0	12.00	0.5	15.3
DIN-R0.5-5	26-22	0.2-0.5	5.3	1.0	8.0	4.0	12.00	0.5	16.0
DIN-R1-2.5	22-16	0.5-1.5	2.7	1.6	6.0	5.0	11.00	0.8	14.0
DIN-R1-3	22-16	0.5-1.5	3.2	1.6	6.0	5.0	11.00	0.8	14.0
DIN-R1-3.5	22-16	0.5-1.5	3.7	1.6	6.0	5.0	11.00	0.8	14.0
DIN-R1-4	22-16	0.5-1.5	4.3	1.6	8.0	5.0	12.00	0.8	16.0
DIN-R1-5	22-16	0.5-1.5	5.3	1.6	10.0	5.0	13.00	0.8	18.0
DIN-R2.5-3	16-14	1.5-2.5	3.2	2.3	6.0	5.0	11.00	0.8	14.0
DIN-R2.5-3.5	16-14	1.5-2.5	3.7	2.3	6.0	5.0	11.00	0.8	14.0
DIN-R2.5-4	16-14	1.5-2.5	4.3	2.3	8.0	5.0	12.00	0.8	16.0
DIN-R2.5-5	16-14	1.5-2.5	5.3	2.3	10.0	5.0	14.00	0.8	19.0
DIN-R2.5-6	16-14	1.5-2.5	6.5	2.3	11.0	5.0	16.00	0.8	21.5
DIN-R2.5-8	16-14	1.5-2.5	8.4	2.3	14.0	5.0	17.00	0.8	24.0
DIN-R6-4	12-10	4-6	4.3	3.6	8.0	6.0	14.00	1.0	18.0
DIN-R6-5	12-10	4-6	5.3	3.6	10.0	6.0	15.00	1.0	20.0
DIN-R6-6	12-10	4-6	6.5	3.6	11.0	6.0	16.00	1.0	21.5
DIN-R6-8	12-10	4-6	8.4	3.6	14.0	6.0	19.00	1.0	26.0
DIN-R6-10	12-10	4-6	10.5	3.6	18.0	6.0	21.00	1.0	30.0
DIN-R10-5	8	10	5.3	4.5	10.0	8.0	16.00	1.1	21.0
DIN-R10-6	8	10	6.5	4.5	11.0	8.0	17.00	1.1	22.5
DIN-R10-8	8	10	8.4	4.5	14.0	8.0	20.00	1.1	27.0
DIN-R10-10	8	10	10.5	4.5	18.0	8.0	21.00	1.1	30.0
DIN-R10-12	8	10	13.0	4.5	22.0	8.0	23.00	1.1	34.0
DIN-R16-5	6	16	5.3	5.8	11.0	10.0	20.00	1.2	25.5
DIN-R16-6	6	16	6.5	5.8	11.0	10.0	20.00	1.2	25.5
DIN-R16-8	6	16	8.4	5.8	14.0	10.0	22.00	1.2	29.0
DIN-R16-10	6	16	10.5	5.8	18.0	10.0	24.00	1.2	33.0
DIN-R16-12	6	16	13.0	5.8	22.0	10.0	26.00	1.2	37.0
DIN-R25-5	4	25	5.3	7.5	12.0	11.0	25.00	1.5	31.0
DIN-R25-6	4	25	6.5	7.5	12.0	11.0	25.00	1.5	31.0
DIN-R25-8	4	25	8.4	7.5	16.0	11.0	25.00	1.5	33.0
DIN-R25-10	4	25	10.5	7.5	18.0	11.0	26.00	1.5	35.0
DIN-R25-12	4	25	13.0	7.5	22.0	11.0	31.00	1.5	42.0
DIN-R25-16	4	25	17.0	7.5	28.0	11.0	35.00	1.5	49.0
DIN-R35-6	2	35	6.5	9.0	15.0	12.0	26.00	1.6	33.5
DIN-R35-8	2	35	8.4	9.0	16.0	12.0	26.00	1.6	34.0
DIN-R35-10	2	35	10.5	9.0	18.0	12.0	27.00	1.6	36.0
DIN-R35-12	2	35	13.0	9.0	22.0	12.0	31.00	1.6	42.0
DIN-R35-16	2	35	17.0	9.0	28.0	12.0	36.00	1.6	50.0
DIN-R50-6	1/0	50	6.5	11.0	18.0	16.0	34.00	1.8	43.0
DIN-R50-8	1/0	50	8.4	11.0	18.0	16.0	34.00	1.8	43.0
DIN-R50-10	1/0	50	10.5	11.0	18.0	16.0	34.00	1.8	43.0
DIN-R50-12	1/0	50	13.0	11.0	22.0	16.0	36.00	1.8	47.0
DIN-R50-16	1/0	50	17.0	11.0	28.0	16.0	40.00	1.8	54.0
DIN-R70-6	2/0	70	6.5	13.0	22.0	18.0	38.00	2.0	49.0
DIN-R70-8	2/0	70	8.4	13.0	22.0	18.0	38.00	2.0	49.0
DIN-R70-10	2/0	70	10.5	13.0	22.0	18.0	38.00	2.0	49.0
DIN-R70-12	2/0	70	13.0	13.0	22.0	18.0	38.00	2.0	49.0
DIN-R70-16	2/0	70	17.0	13.0	28.0	18.0	42.00	2.0	56.0
DIN-R95-8	3/0	95	8.4	15.0	24.0	20.0	42.00	2.5	54.0
DIN-R95-10	3/0	95	10.5	15.0	24.0	20.0	42.00	2.5	54.0
DIN-R95-12	3/0	95	13.0	15.0	24.0	20.0	42.00	2.5	54.0
DIN-R95-16	3/0	95	17.0	15.0	28.0	20.0	44.00	2.5	58.0
DIN-R120-8	4/00	120	8.4	16.5	24.0	22.0	44.00	3.0	56.0
DIN-R120-10	4/00	120	10.5	16.5	24.0	22.0	44.00	3.0	56.0
DIN-R120-12	4/00	120	13.0	16.5	24.0	22.0	44.00	3.0	56.0
DIN-R120-16	4/00	120	17.0	16.5	28.0	22.0	48.00	3.0	62.0
DIN-R150-10	250/300	150	10.5	19.0	30.0	24.0	50.00	3.2	65.0
DIN-R150-12	250/300	150	13.0	19.0	30.0	24.0	50.00	3.2	65.0
DIN-R150-16	250/300	150	17.0	19.0	30.0	24.0	50.00	3.2	65.0
DIN-R185-10	300/350	185	10.5	21.0	36.0	28.0	50.00	3.5	68.0
DIN-R185-12	300/350	185	13.0	21.0	36.0	28.0	50.00	3.5	68.0
DIN-R185-16	300/350	185	17.0	21.0	36.0	28.0	50.00	3.5	68.0
DIN-R240-10	400/450	240	10.5	23.5	38.0	32.0	56.00	4.0	75.0
DIN-R240-12	400/450	240	13.0	23.5	38.0	32.0	56.00	4.0	75.0
DIN-R240-16	400/450	240	17.0	23.5	38.0	32.0	56.00	4.0	75.0



说明：本系列配套工具 YYT-8
Note: installed by crimp tool YYT-8